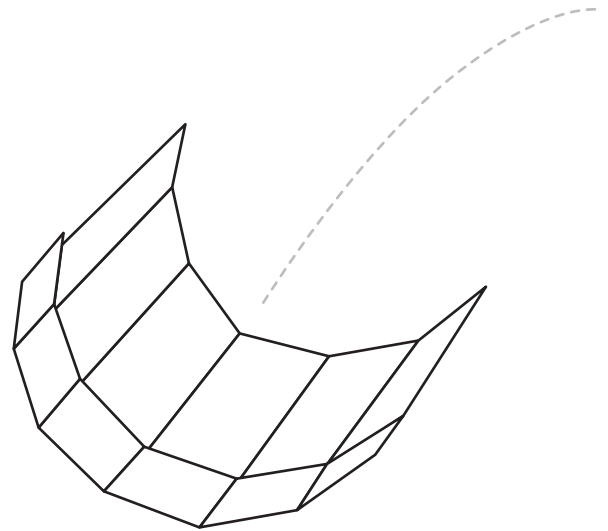
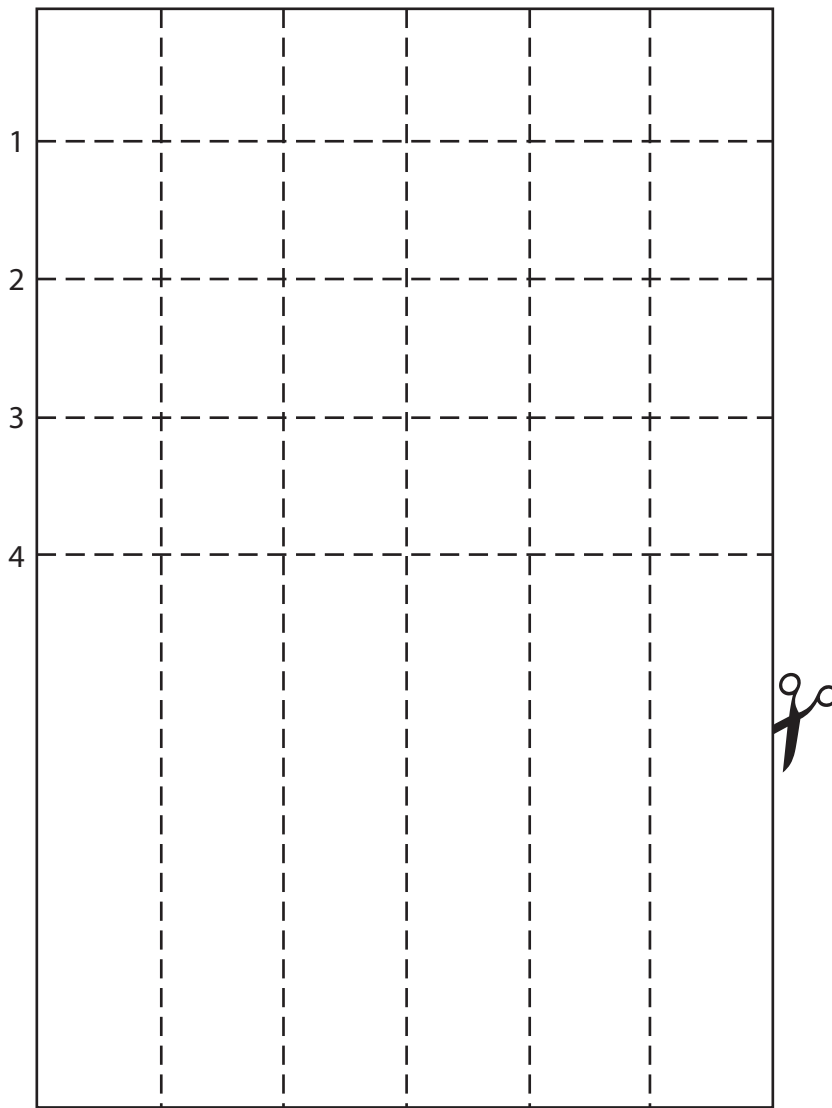


CURVE GLIDER

**BIZARRE
& AMAZING
PAPER
AIRPLANES!**



Instructions: Fold at 2. Then 1 and 3 together.
Fold again at 4. After fold is in position, crease
along vertical bottom lines to form a gentle curve.

(Original design by Nori Sinoto, New York City)

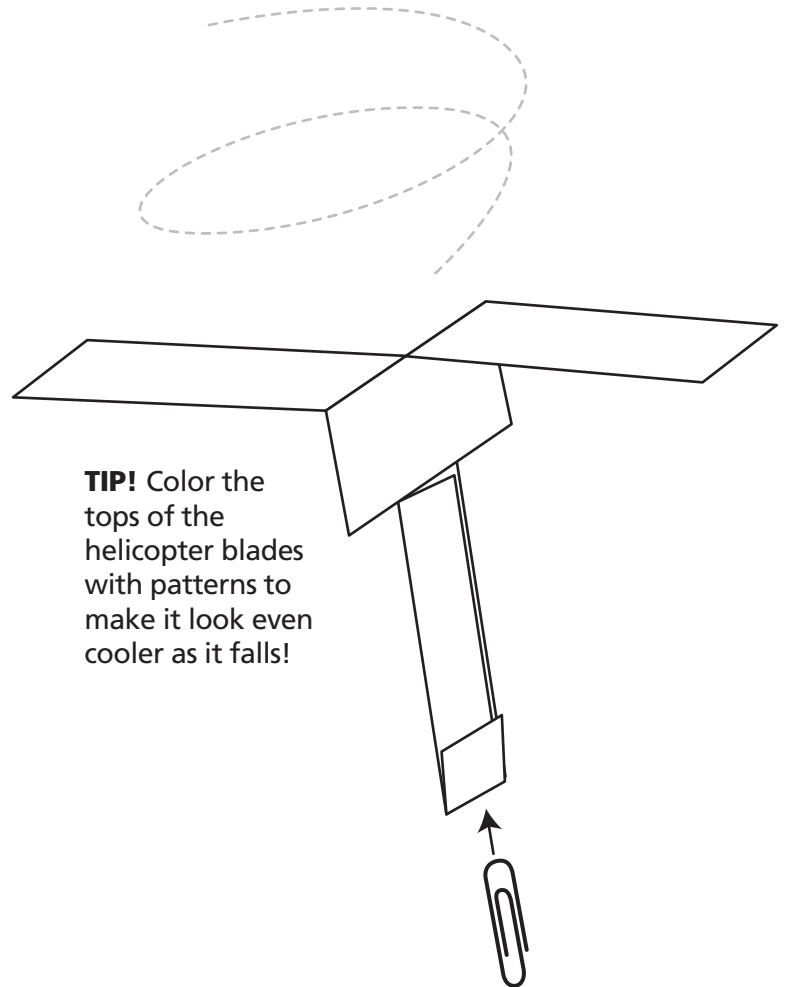
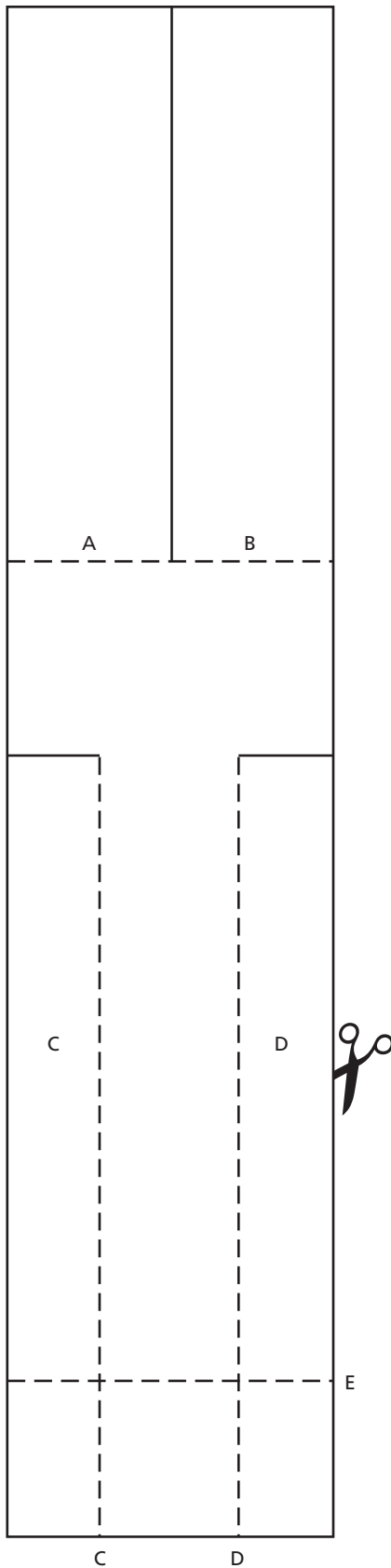


NOAH KNOWS

all about the cool stuff

www.TheNoahKnows.com

HELICOPTER BIZARRE & AMAZING PAPER AIRPLANES!



TIP! Color the tops of the helicopter blades with patterns to make it look even cooler as it falls!

Instructions: Cut along all solid lines. Fold A forward. Fold B backward. Fold C in and overlap by folding D. After folding C and D, fold up at E. You can add a paper clip to fold at E to give the helicopter more weight. Launch by dropping from high position.

(Original design by Richard K. Neu, Wilmington, Ohio)



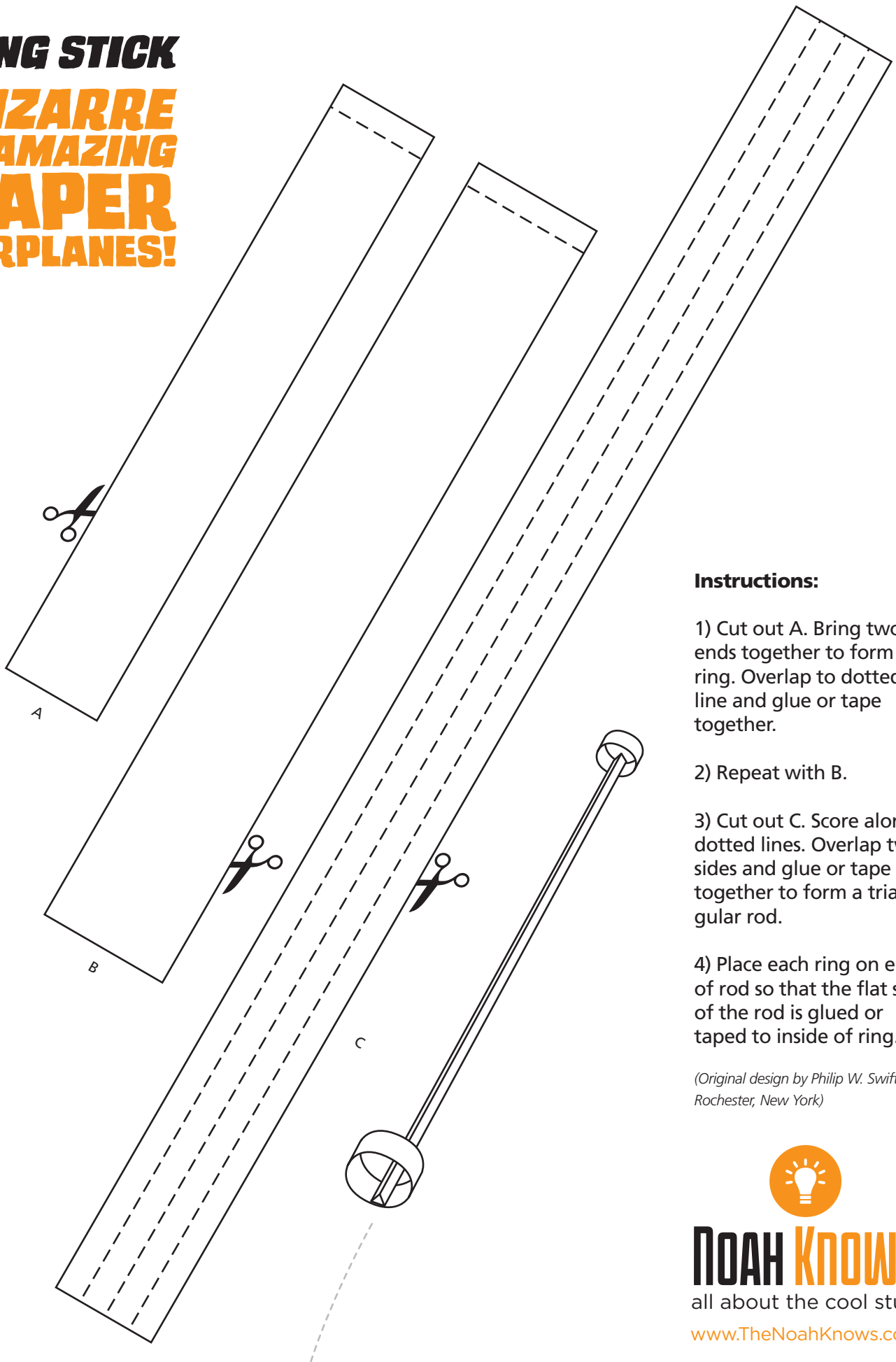
NOAH KNOWS

all about the cool stuff

www.TheNoahKnows.com

RING STICK

BIZARRE & AMAZING PAPER AIRPLANES!



Instructions:

- 1) Cut out A. Bring two ends together to form a ring. Overlap to dotted line and glue or tape together.
- 2) Repeat with B.
- 3) Cut out C. Score along dotted lines. Overlap two sides and glue or tape together to form a triangular rod.
- 4) Place each ring on end of rod so that the flat side of the rod is glued or taped to inside of ring.

*(Original design by Philip W. Swift,
Rochester, New York)*



NOAH KNOWS

all about the cool stuff

www.TheNoahKnows.com